

# PRESSURE SETS WITH VESSEL



HYDROFRESH 5VT



HYDROFRESH 24 SF



HYDROFRESH 24 CL



HYDROFRESH 60 CL

## PERFORMANCE

MODEL	POWER		FLOW RATE (1) l/min	SETTING (2) bar
	kW	HP		
<b>HYDROFRESH 5VT</b>				
PKm 60 - 05 VT	0.37	0.50	32	1.4 ÷ 2.8
JSWm 1CX - 05 VT	0.37	0.50	45	1.2 ÷ 2.6
JSWm 1BX - 05 VT	0.50	0.70	50	1.4 ÷ 2.8
JSWm 1AX - 05 VT	0.60	0.85	50	1.8 ÷ 3.2
<b>HYDROFRESH 24 SF</b>				
PKm 60 - 24 SF	0.37	0.50	32	1.4 ÷ 2.8
PKm 65 - 24 SF	0.50	0.70	40	1.5 ÷ 3.0
JSWm 1CX - 24 SF	0.37	0.50	45	1.2 ÷ 2.6
JSWm 1BX - 24 SF	0.50	0.70	50	1.4 ÷ 2.8
JSWm 1AX - 24 SF	0.60	0.85	50	1.8 ÷ 3.2
JSWm 10MX - 24 SF	0.75	1	80	1.4 ÷ 2.8
JSWm 12MX - 24 SF	0.90	1.25	80	2.0 ÷ 3.5
JSWm 15MX - 24 SF	1.1	1.5	80	2.5 ÷ 4.0
<b>HYDROFRESH 24 CL</b>				
PKm 60 - 24 CL	0.37	0.50	32	1.4 ÷ 2.8
PKm 65 - 24 CL	0.50	0.70	40	1.5 ÷ 3.0
CPm 158 - 24 CL	0.75	1	90	1.8 ÷ 3.2
CPm 170 - 24 CL	1.1	1.5	120	2.2 ÷ 3.5
JSWm 1BX - 24 CL	0.50	0.70	50	1.4 ÷ 2.8
JSWm 1AX - 24 CL	0.60	0.85	50	1.8 ÷ 3.2
JSWm 10MX - 24 CL	0.75	1	80	1.4 ÷ 2.8
JSWm 12MX - 24 CL	0.90	1.25	80	2.0 ÷ 3.5
JSWm 15MX - 24 CL	1.1	1.5	80	2.5 ÷ 4.0
JCRm 1B - 24 CL	0.50	0.70	50	1.4 ÷ 2.8
JCRm 1A - 24 CL	0.60	0.85	50	1.8 ÷ 3.2
JCRm 10M - 24 CL	0.75	1	80	1.4 ÷ 2.8
JCRm 15M - 24 CL	1.1	1.5	80	2.5 ÷ 4.0
<b>HYDROFRESH 60 CL</b>				
JSWm 10MX - 60 CL	0.75	1	80	1.4 ÷ 2.8
JSWm 12MX - 60 CL	0.90	1.25	80	2.0 ÷ 3.5
JSWm 15MX - 60 CL	1.1	1.5	80	2.5 ÷ 4.0

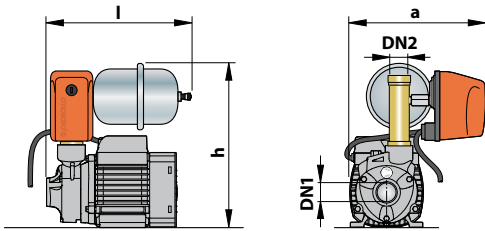
### COMPONENTS:

- Single-phase pump
- Tank
- Pressure switch
- Pressure gauge (for 24SF, 24CL and 60CL)
- Hose (for 24CL and 60CL)
- Brass connector
- 1.5 m power cable with Schuko plug

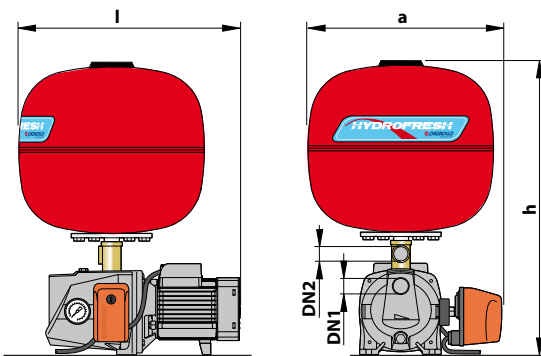
(1) Maximum flow rate at the minimum recommended pressure switch pressure

(2) Recommended pressure range

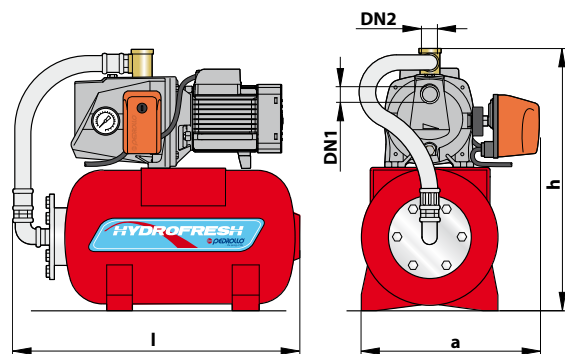
### DIMENSIONS AND WEIGHT



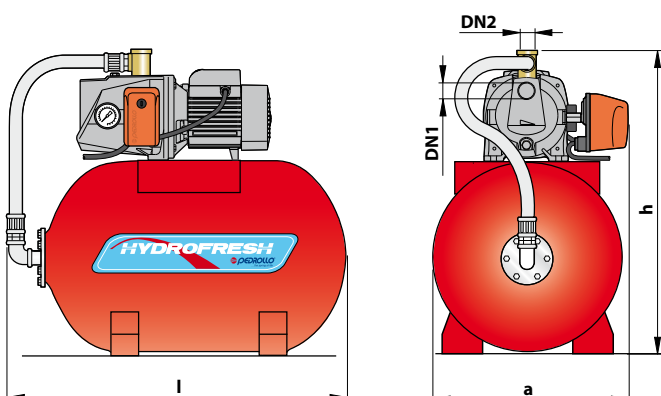
MODEL	PORTS		DIMENSIONS mm			WEIGHT kg
	DN1	DN2	l	a	h	
PKm 60 - 05 VT	1"	1"	255	210	262	6.5
JSWm 1CX - 05 VT	1"	1"	373	210	280	10.5
JSWm 1BX - 05 VT	1"	1"	373	210	280	11.2
JSWm 1AX - 05 VT	1"	1"	373	210	280	11.5



MODEL	PORTS		DIMENSIONS mm			WEIGHT kg
	DN1	DN2	l	a	h	
PKm 60 - 24 SF	1"	1"	360	390	522	12.5
PKm 65 - 24 SF	1"	1"	373	390	530	13.9
JSWm 1CX - 24 SF	1"	1"	437	390	551	16.5
JSWm 1BX - 24 SF	1"	1"	437	390	551	17.3
JSWm 1AX - 24 SF	1"	1"	437	390	551	17.6
JSWm 10MX - 24 SF	1"	1"	463	390	572	21.0
JSWm 12MX - 24 SF	1"	1"	463	390	572	22.0
JSWm 15MX - 24 SF	1"	1"	463	390	572	22.4



MODEL	PORTS		DIMENSIONS mm			WEIGHT kg
	DN1	DN2	l	a	h	
PKm 60 - 24 CL	1"	1"	540	285	503	13.2
PKm 65 - 24 CL	1"	1"	540	285	508	14.8
CPm 158 - 24 CL	1"	1"	540	285	585	19.9
CPm 170 - 24 CL	1 1/4"	1"	540	285	605	26.3
JSWm 1BX - 24 CL	1"	1"	540	295	486	17.9
JSWm 1AX - 24 CL	1"	1"	540	295	486	18.2
JSWm 10MX - 24 CL	1"	1"	540	345	507	21.6
JSWm 12MX - 24 CL	1"	1"	540	345	507	22.6
JSWm 15MX - 24 CL	1"	1"	540	345	507	23.0
JCRm 1B - 24 CL	1"	1"	540	285	519	14.3
JCRm 1A - 24 CL	1"	1"	540	285	519	14.8
JCRm 10M - 24 CL	1 1/4"	1"	540	285	551	17.3
JCRm 15M - 24 CL	1 1/4"	1"	540	285	551	18.4



MODEL	PORTS		DIMENSIONS mm			WEIGHT kg
	DN1	DN2	l	a	h	
JSWm 10MX - 60 CL	1"	1"	750	400	647	28.2
JSWm 12MX - 60 CL	1"	1"	750	400	647	29.2
JSWm 15MX - 60 CL	1"	1"	750	400	647	29.6